

# DIGI PLEX EVO

## 1-Zone Expansion Module V2.0 (ZX1)

### Instructions

ZX1-EI05

The 1-Zone Expansion Module (ZX1) is an interface between the Digiplex EVO control panel (EVO48/EVO192) and any hardwired detection devices. The ZX1 connects to the control panel's combus providing you with one additional hardwired input.

### Installation

The ZX1 modules are connected to the control panel's combus in a star and/or daisy chain configuration. The combus consists of four wires that provide power and two-way communication between the control panel and all modules connected to it. Connect the four terminals labeled red, black, green, and yellow of each ZX1 to the corresponding terminals on the control panel (EVO48/EVO192) as shown in Figure 2 on the back of this instruction. Please refer to the appropriate control panel's *Installation & Reference Manual* for maximum allowable installation distance from the control panel.

### Zone Connections

Each ZX1 has one hardwired input terminal that will allow you to connect up to two (with ATZ enabled) non-bus detection devices to the system (EVO48/EVO192). Each device connected to the ZX1's input terminal must be assigned to a zone in the control panel and the zone's parameters must be defined. For more information, please refer to the appropriate control panel's *Installation & Reference Manual*. The ZX1 will communicate the status of the zones to the control panel through the combus. Connect the devices to the ZX1 as shown in Figure 1 on the back of this sheet.



**The ZX1 follows the ATZ and EOL definitions set in the Digiplex (EVO48/EVO192) control panels.**

### Programming Method

From any keypad connected to the combus:

1. Press and hold the **[0]** key.
2. Enter the **[INSTALLER CODE]**.
3. Enter section **[4003]** to be in module programming mode.
4. Enter the ZX1's 8-digit **[SERIAL NUMBER]**.
5. Enter the 3-digit **[SECTION]** you want to program.
6. Enter the required data.

Please note the following:

- The serial number is located on the ZX1's PC board.
- This module can also be programmed using the control panel's Module Broadcast Feature (refer to the appropriate control panel *Programming Guide*) as well as through the Win-Load Software (refer to the *WinLoad Software Online Help* for more information).

### Tamper Recognition

Section [001] - Option [1]

The ZX1 comes equipped with an on-board anti-tamper switch. When option **[1]** is enabled in section **[001]** and the anti-tamper switch is triggered, a Module Tamper report will be sent to the control panel via the combus.

### Input Speed Timings

The input speed defines how quickly the input terminal on the ZX1 responds to an open zone. The control panel will only respond if the zone remains open for the duration of the Input Speed. All other zone definitions and options don't come into effect until the control panel has responded. This feature prevents any momentary glitches from causing an alarm or unnecessary reporting.

$$\text{Input Speed} = \text{Base Time} \times \text{Time Value.}$$

### Base Time

Section [002]

This section determines the unit of time to be multiplied by the Time Value.

000 = 15 milliseconds

001 = 1 second

002 = 1 minute

### Time Value

Section [003]

Enter a 3-digit decimal value between 001 and 255. This decimal value will be multiplied by the Base Time to determine the input speed. *For example, if section [002] = 001 and section [003] = 030, the Input Speed will be 30 seconds.*

### Specifications

On-board anti-tamper switch:	Yes
Voltage:	9-16 Vdc
Current consumption:	28mA maximum
Operating Temperature:	-20°C to +50°C
Number of inputs:	1
Number of zones:	1 (2 with ATZ enabled)
Input speed:	15ms - 255 minutes
Power-up indication:	Green LED illuminated
Proper operation:	Red LED flashes
Locate indication:	Green LED flashes
Combus failure	
Indication:	Green and red LEDs flash alternately
Locate deactivation:	Press anti-tamper switch

### Compatibility

DGP-NE96 control panel  
DGP-848 control panel  
EVO48  
EVO192

Figure 1: Connecting the ZX1

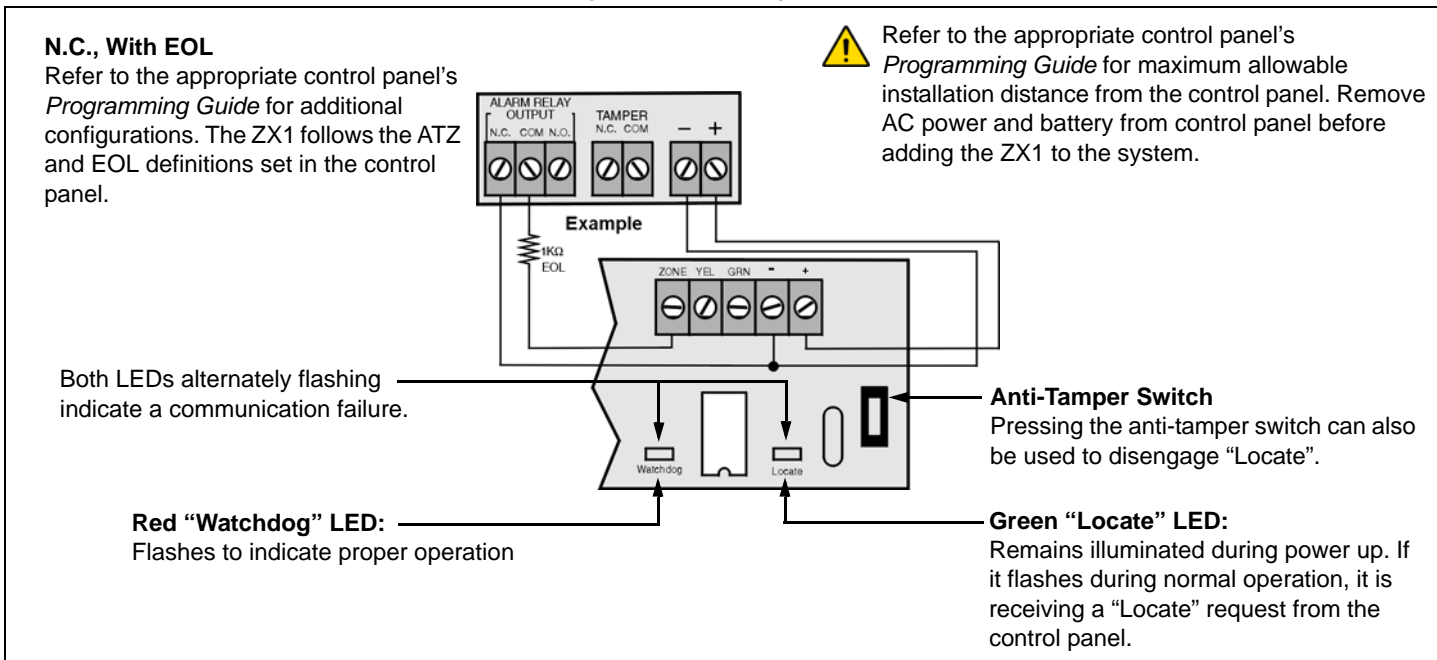
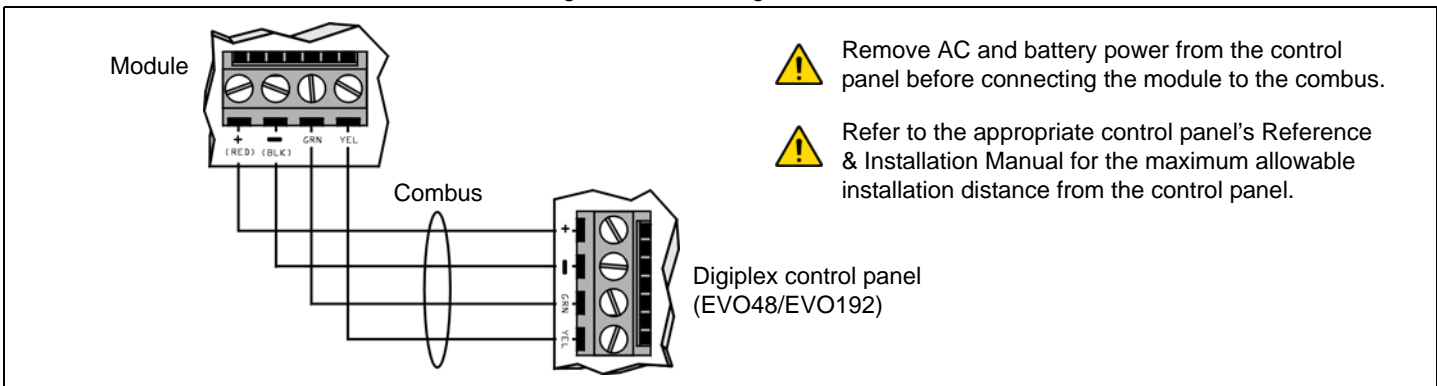


Figure 2: Connecting the Combus



**Warranty**

For complete warranty information on this product please refer to the Limited Warranty Statement found on the website [www.paradox.com/terms](http://www.paradox.com/terms). Your use of the Paradox product signifies your acceptance of all warranty terms and conditions.

BEWARE: Dealers, installers and/or others selling the product are not authorized to modify this warranty or make additional warranties that are binding on the Seller.

© 2001-2013 Paradox Ltd. All rights reserved. Specifications may change without prior notice. One or more of the following US patents may apply: 7046142, 6215399, 6111256, 6104319, 5920259, 5886632, 5721542, 5287111, 5119069, 5077549 and RE39406 and other pending patents may apply. Canadian and international patents may also apply.

Digiplex EVO and WinLoad are trademarks or registered trademarks of Paradox Ltd. or its affiliates in Canada, the United States and/or other countries.

